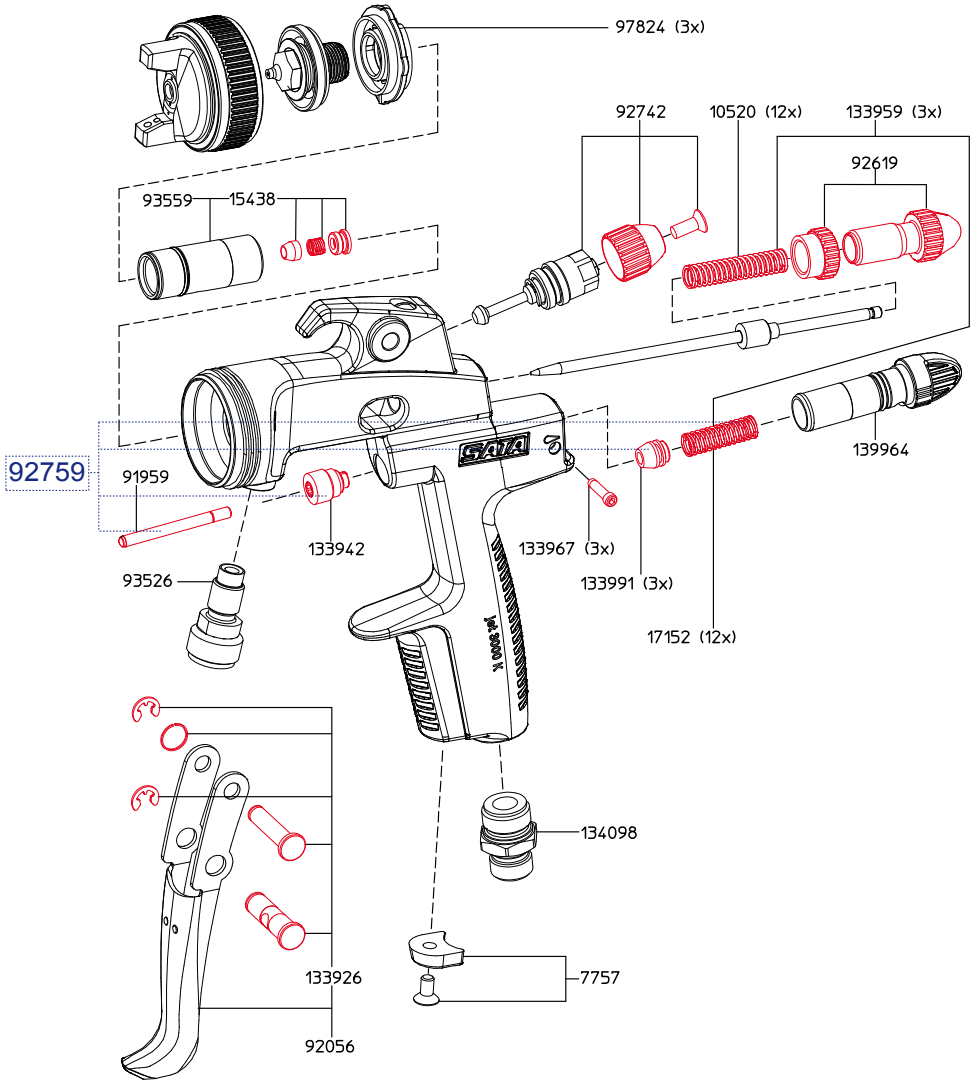


Spare Parts SATAjet® 3000 K

Original SATA spare parts to enhance the lifetime of the spray gun

Art. No./Descr.
7757
Pack of 4 CCS clips available in colours green, blue, red and black
10520
12 Springs
15438
Paint needle packing
17152
Pack of 12 springs
91959
Air piston rod
92056
Trigger kit
92619
Material flow control screw with counter nut
92742
Round/flat spray control
92759
Air piston service unit
93526
Stainless steel material connection
93559
Stainless steel insert
97824
Pack of 3 air distribution rings
133926
Trigger sleeve kit
133942
Seal retainer
133959
Set of springs with each 3 pieces paint needles/air piston springs
133967
Pack of 3 adjustment screws
133991
Pack of 3 air piston heads
134098
Air connection piece G1/4a- M15x1a
139964
Air micrometer for



All prices are suggested list prices. Errors, technical modifications and printing errors reserved.

- 9050
- Tool kit**
- High performance grease, 3g tube
 - Extraction tool
 - Paint strainer
 - Cleaning brush
 - Allen wrench 2 mm width
 - Allen wrench 4 mm width
 - Universal wrench



Art. No./Descr.

92767

Repair kit SATAjet 3000 K, jet K3

92759

Air piston service unit