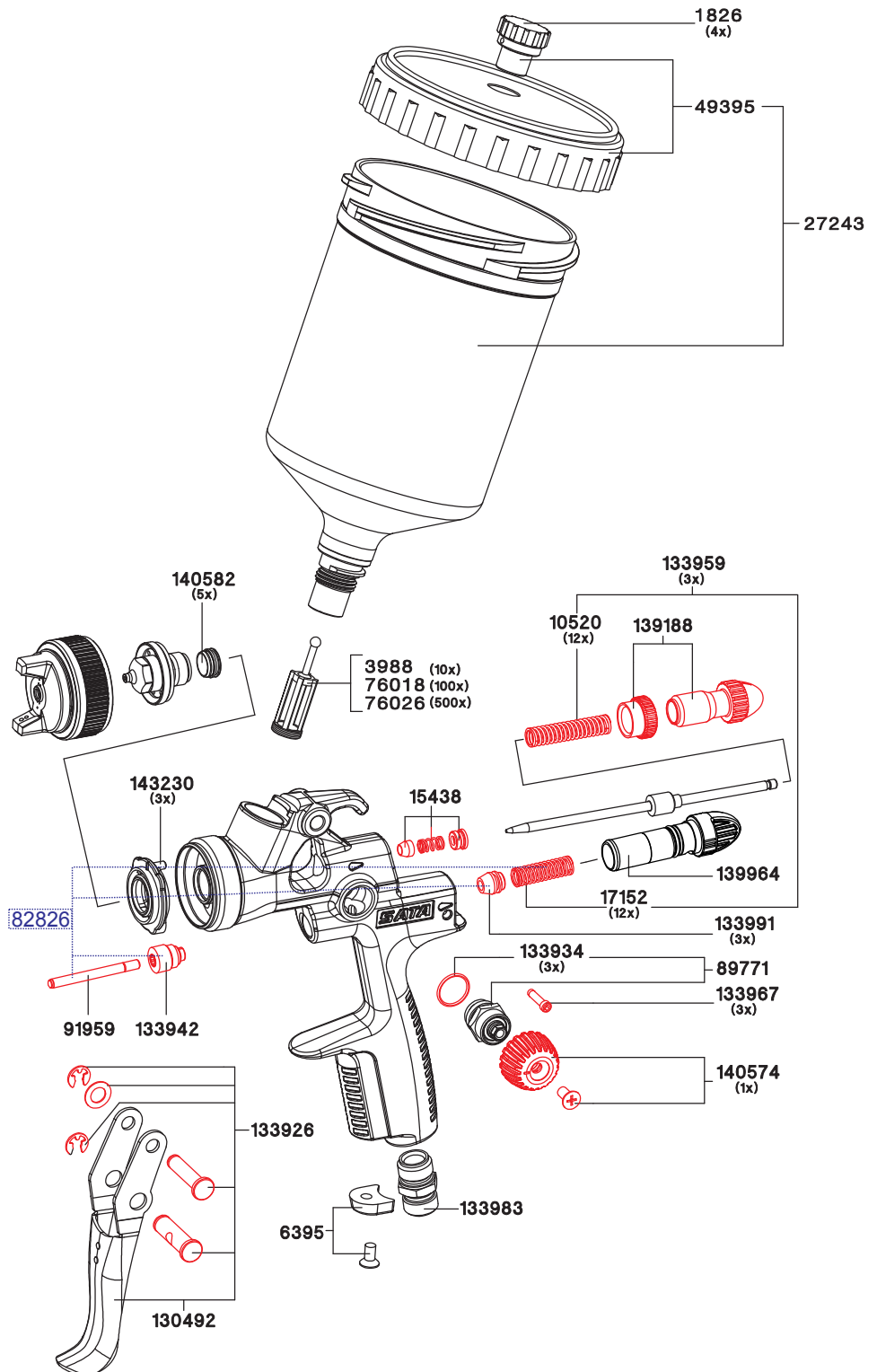


# Spare Parts SATAJet® 1000 B

Original SATA spare parts to enhance the lifetime of the spray gun

Art. No./Descr.
1826 4 pieces non-drip devices for 0.6 l PVC cup
3988 10 paint strainers for SATA spray guns, except SATAMinijet
6395 Pack of 4 CCS clips available in colours green, blue, red and black
10520 12 Springs
15438 Paint needle packing
17152 Pack of 12 springs
27243 QCC quick replacement cup (PVC) 0.6 l
49395 Screw-on lid for 0.6 l PVC cup with drip-catching ring and non-drip device
76018 10 packs of 10 paint strainers
76026 50 packs of 10 paint strainers
89771 Spindle, cpl., for round / flat spray control
91959 Air piston rod
130492 Trigger kit packed in PVC bag
133926 Trigger sleeve kit
133934 Pack of 3 packings
133942 Seal retainer
133959 Set of springs with each 3 pieces paint needles/air piston springs
133967 Pack of 3 adjustment screws
133983 Air connection piece G1/4a
133991 Pack of 3 air piston heads
<b>136960</b> <b>Sealing kit</b>
139188 Material flow control with counter nut
139964 Air micrometer for
140574 Control knob and screw (each 1)
140582 Pack of 5 sealing elements
143230 Pack of 3 air distribution rings



All prices are suggested list prices. Errors, technical modifications and printing errors reserved.

- 9050**  
**Tool kit**
- High performance grease, 3g tube
  - Extraction tool
  - Paint strainer
  - Cleaning brush
  - Allen wrench 2 mm width
  - Allen wrench 4 mm width
  - Universal wrench



- | Art. No./Descr.                |
|--------------------------------|
| <b>130542</b>                  |
| <b>Repair Kit</b>              |
| <b>82826</b>                   |
| <b>Air piston service unit</b> |