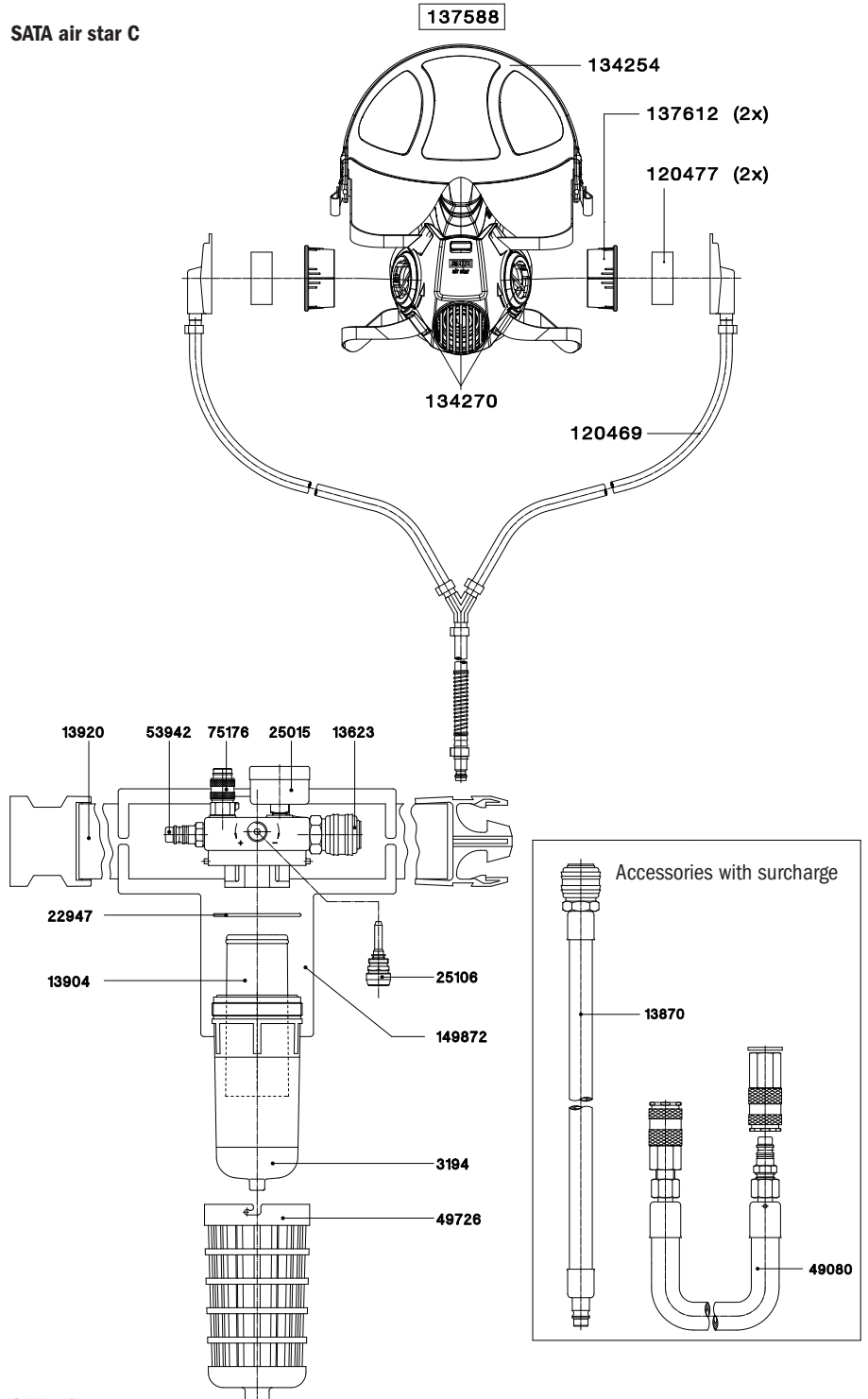


# Spare Parts SATA® air star C™

Optimum protection using high quality: Original SATA Accessories

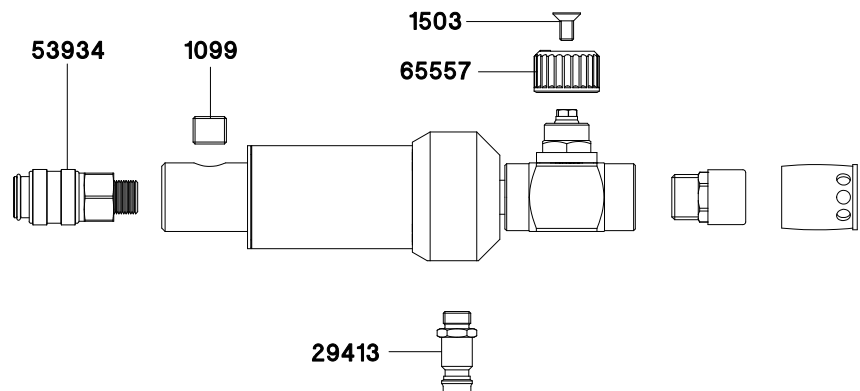
Art. No./Descr.
3194 Adsorber glass for half mask respirator
13623 SATA quick coupling 100.14 G 1/4 male thread
13870 Air hose 1.2 m cpl. with fittings for paint spray guns to SATA respirators
13904 Filter cartridge for SATA respirators
13920 Belt with buckle for respirator
22947 O-ring 54 x 2,5 mm Perbunan for respirator housing
25015 Gauge for adsorber, half mask respirator
25106 Spindle, complete, for adsorber (CE) of half mask + full face respirator
49080 Safety compressed air supply hose CE 9.5 x 5.0 mm, for SATA respirators CE version, 6 m long, cpl. according to DIN EN 139/270
49726 Protective cage for respirator filter unit
53942 Nipple G 1/4 for GS respirator, UBE + blow-off gun, size 14
75176 Safety quick closure coupling NW 5, type 21, for adsorber of half mask respirator, version GS
120469 Breathing air hose
120477 Air distributor for half mask respirator, CE version, pack of 2 units (25-5235)
134254 Head strap with fixing unit and yoke
134270 Pack of 5 pieces exhalation diaphragms and 10 pieces inhalation diaphragms
137612 Connection pack of 2 units
149872 Belt cushion and installation instructions

## SATA air star C



Art. No./Descr.
1099 Closing screw DIN 906 G 1/8-ST., nickel-plated
1503 Countersunk screw M4 x 8 DIN 965, stainless steel, for micrometer und round/flat spray control
29413 Nipple for air warmer
53934 Safety quick coupling for SATA full face respirator
65557 Regulating knob and regulating valve

## SATA air warmer



All prices are suggested list prices. Errors, technical modifications and printing errors reserved.